

THIS DOCUMENT CONTAINS DATA PROPRIETARY TO PROJECTS UNLIMITED, INC. ANY USE OR REPRODUCTION, IN ANY FORM, WITHOUT PRIOR WRITTEN PERMISSION OF PROJECTS UNLIMITED, INC. IS PROHIBITED.
 © 2005, Projects Unlimited Inc.

SPECIFICATIONS

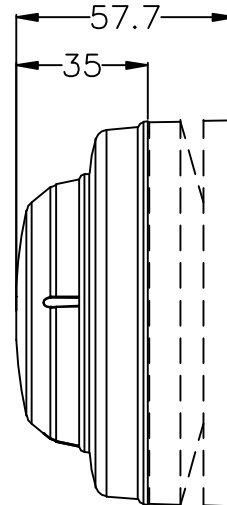
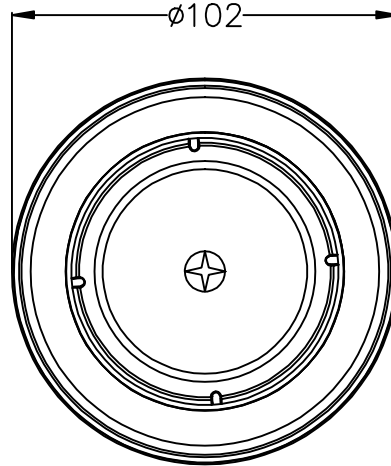
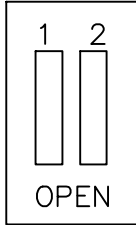
PARAMETERS	VALUES	UNITS
RATED VOLTAGE	24	Vdc
OPERATING VOLTAGE RANGE	9 ~ 28	Vdc
RATED CURRENT (MAX)	6	mA
INGRESS PROTECTION	IP42	-
COLOR	RED	-
OPERATING TEMPERATURE	-10 ~ +55	°C
HOUSING MATERIAL	ABS	-
TERMINAL MATERIAL	SCREW	-
WEIGHT	100	grams
FLASH RATE	0.5/1	Hz

DETAIL "A"

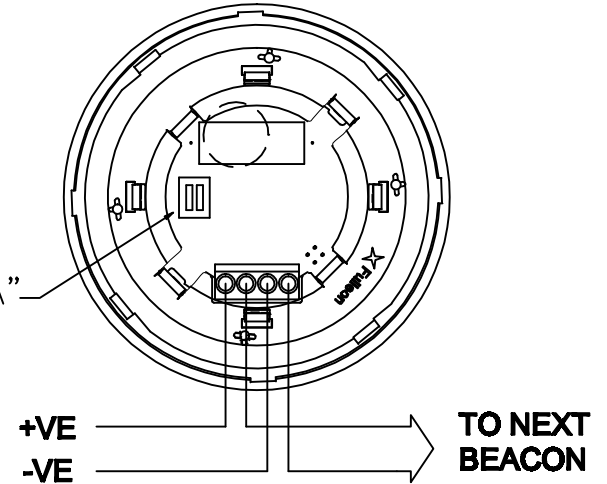
CONNECTION DETAILS
 SWITCH 1 (POWER)

OPEN-LOW (3mA nom)
 CLOSED-HIGH (5mA nom)

SWITCH 2 (RATE)
 OPEN-SLOW (1/2Hz)
 CLOSED-FAST (1Hz)



DETAIL "A"



REVISIONS			
LTR	DESCRIPTION	DATE	APPROVED
-	RELEASED FROM ENGINEERING	9/7/06	
A	ADDED BASE NOTE NEW DIMENSION	5/21/07	R.W.

NOTES:

- ALL DIMENSIONS ARE IN MILLIMETERS.
- SPECIFICATION SUBJECT TO CHANGE OR WITHDRAWAL WITHOUT NOTICE.
- THIS PART IS RoHS 2002/95/EC COMPLIANT.
- MOUNTS TO AW-05MR OR AW-05MW-NC.

FILE NAME
 VW-05MR-RL.DWG

UNLESS OTHERWISE SPECIFIED:
 DIMENSIONS ARE IN MILLIMETERS, TOLERANCES ARE ±0.5 AND ANGLES ARE ±3°.

APPROVALS	DATE
DRAWN <i>J.D.</i>	9/06
CHECKED <i>R.W.</i>	9/06
APPROVED <i>B.R.</i>	9/06

DO NOT SCALE DRAWING



projects®
 unlimited

Dayton, Ohio

SIREN

SIZE
 A

DRAWING NO.
 VW-05MR-RL

SCALE: N.T.S.

SHEET 1 OF 1